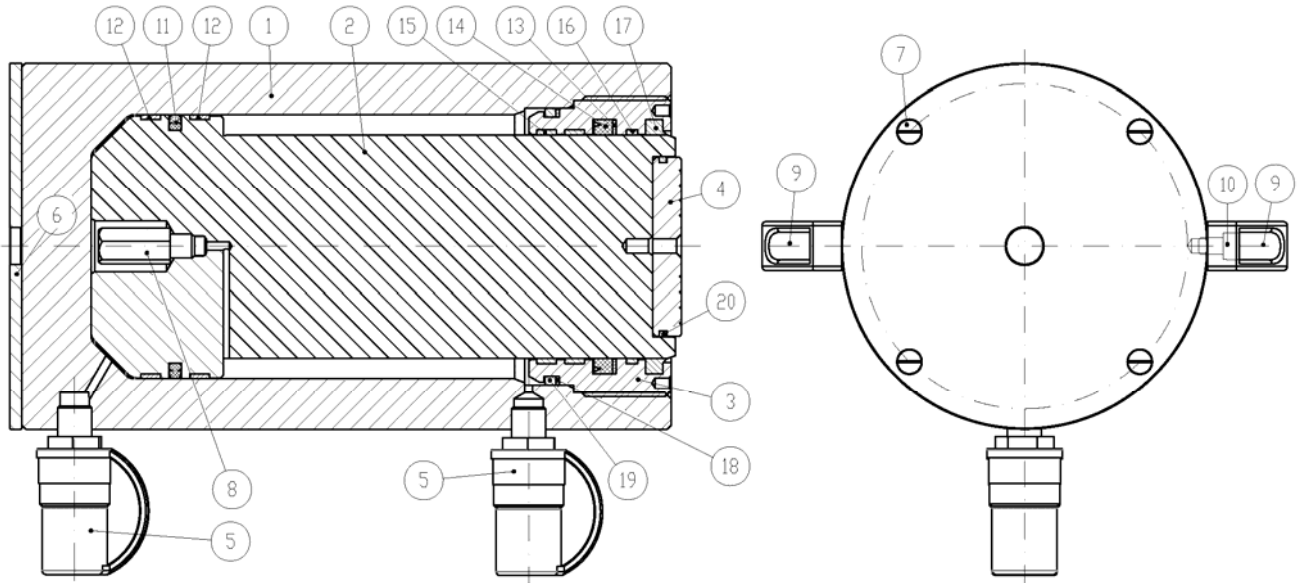


DDA10015 DDA10020



	DDA10015	DDA10020
	JR.DDA100A*	JR.DDA100A*
1	52F0738	52F0737
2	53F0780	53F0779
3	55F0425	55F0425
4	56D0005	56D0005
5	(2) 17A0013	(2) 17A0013
6	24K0566	24K0566
7	(4) 14A0440	(4) 14A0440
8	17C0006	17C0006
9	(2) 33C0011	(2) 33C0011
10	(4) 14A0162	(4) 14A0162
*11	12B0388	12B0388
*12	(2) 58F0169	(2) 58F0169
*13	57A0291	57A0291
*14	12B0196	12B0196
*15	(2) 58F0159	(2) 58F0159
*16	08G0013	08G0013
*17	12H0074	12H0074
*18	57A0740	57A0740
*19	12A0534	12A0534
*20	12A0030	12A0030

LARZEP, S.A.
 Avenida Urtiaga, 6
 48269 MALLABIA, SPAIN
 Tel. +34 943 171200
 Fax. +34 943 174166
 e-mail: sales@larzep.com
www.larzep.com

LARZEP AUSTRALIA PTY. LTD.
 104 Wedgewood Road,
 HALLAM, VIC. 3803 AUSTRALIA
 Tel. +61 (3) 9796 3744
 Fax. +61 (3) 9796 5964
 e-mail: sales@larzep.com.au
www.larzep.com.au

LARZEP GB LTD.
 3 Commerce Way - Leighton Buzzard
 BEDS LU7 4RW UNITED KINGDOM
 Tel. +44 1525 377819
 Fax. +44 1525 851990
 e-mail: sales@larzep.co.uk
www.larzep.co.uk