

HYDROTEST HAND PUMPS



- ✓ Tanks from 12 to 100 litres.
- ✓ 13 models available, from 25 bar to 1.300 bar.
- ✓ Engineered and designed for easy operation.
- ✓ WAP models with cast iron or mild steel frame.
- ✓ WIP models with stainless steel frame. Used by the Chemical industry or when aggressive liquids are used.
- ✓ Supplied with pressure gauge and control valve.
- ✓ All pumps can work with water and oil.
- ✓ Pressure gauge: Dual scale bar / psi. / Class 1.6 up to 200 bar and Class 1.0 from 300 to 1.300 bar.

WAP0025, WAP0035, WAP0045, WAP0050, WAP0100

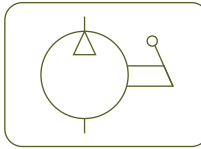
- ✓ Manufactured in cast iron for heavy duty and professional uses.
- ✓ Supplied with pressure gauge ø60 mm and double control valve, except model WAP0035 that is supplied with single control valve.

WAP0300, WAP0500, WAP1000, WAP1300

- ✓ Hand pumps used for high pressure hydrostatic tests.
- ✓ 2 stage pumps with 100 litres tank manufactured in mild steel.
- ✓ Supplied with pressure gauge ø100 mm and control valve.



WAP0040, WAP0070, WIP0040, WIP0200



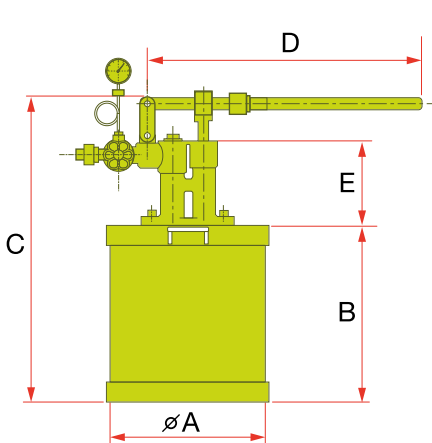
- ✓ Lightweight hand pumps manufactured in mild steel (WAP) and stainless steel (WIP) for use on bench in workshop hydrostatic tests.
- ✓ Supplied with pressure gauge ø60 mm, control valve and 13 litre tank.
- ✓ WIP0040 and WIP0200 models have stainless steel tanks. Used by the Chemical industry or when aggressive liquids are used.
- ✓ WAP0040 and WIP0040 pumps are supplied with 1.5 metre hose. These pumps are normally used on plumbing for heating plant testing.



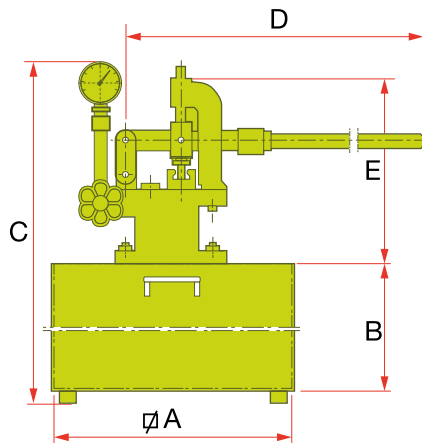
Type **WAP - WIP**

Capacity **12 - 100 litres**

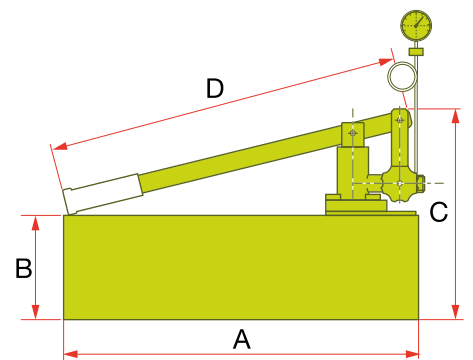
Max. pressure **25 - 1.300 bar**



WAP0025
WAP0035
WAP0045
WAP0050
WAP0100



WAP0300
WAP0500
WAP1000
WAP1300



WAP0040
WAP0070
WIP0040
WIP0200

WAP - WIP PUMPS

CAST IRON AND MILD STEEL PUMPS - WAP

Hydrotest Pump	Max. Pressure	Oil Capacity	Flow / stroke	Material	Outlet Port	A	B	C	D	E	Weight
LARZEP	bar	litres	cc		BSP	mm	mm	mm	mm	mm	kg
WAP0025	25	12	11	Cast iron	3/8" Male	ø255	272	450	420	120	10
WAP0035	35	12	14	Cast iron	1/2" Female	ø255	272	430	350	100	8
WAP0045	45	21	14	Cast iron	3/8" Male	ø260	397	558	420	150	12
WAP0050	50	38	20	Cast iron	3/8" Male	ø390	397	558	683	150	22
WAP0100	100	38	20	Cast iron	3/8" Male	ø390	397	558	683	150	22
WAP0040	40	13	18	Mild steel	1/2" Male	500 x 190	140	280	500	-	8
WAP0070	70	13	11	Mild steel	1/2" Female	500 x 190	140	295	700	-	9
WAP0300	300	100	18 / 3,5	Mild steel	1/2" Female	500 x 500	400	800	800	400	54
WAP0500	500	100	18 / 3,5	Mild steel	1/2" Female	500 x 500	400	800	800	400	54
WAP1000	1.000	100	18 / 3,5	Mild steel	1/2" Female	500 x 500	400	800	1.000	400	60
WAP1300	1.300	100	18 / 3,5	Mild steel	1/2" Female	500 x 500	400	800	1.000	400	60

STAINLESS STEEL PUMPS - WIP

Hydrotest Pump	Max. Pressure	Oil Capacity	Flow / stroke	Material	Outlet Port	A	B	C	D	Weight
LARZEP	bar	litres	cc		BSP	mm	mm	mm	mm	kg
WIP0040	40	13	18	Bronze & SS	1/2" Male	500 x 190	140	280	500	8
WIP0200	200	13	18	SS	1/2" Female	500 x 190	140	295	700	14