



HYDRAULICS

HYDRAULIC TOOLS: NUT SPLITTER

“CN0324”



Abdex Hydraulics - Victoria

27 Metcalf Street,
Dandenong South, VIC. 3175

Tel: (03) 9796 3744

Email: sales@abdexhydraulics.com.au

Abdex Hydraulics - Perth

260 Allen Road,
Forrestdale, WA. 6112

Tel: (08) 9418 4988

Email: sales@abdexhydraulics.com.au

Abdex Hydraulics - Queensland

8/315 Archerfield Road
Richlands, QLD. 4077.

Tel: (03) 9796 3744

Email: sales@abdexhydraulics.com.au

INDEX

1.	BEFORE USING THE EQUIPMENT -----	2
2.	TECHNICAL FEATURES -----	2
3.	ESSENTIAL SAFETY REQUIREMENTS -----	3
4.	START-UP -----	3
5.	MAINTENANCE -----	3
6.	WARRANTY -----	3
7.	DECLARATION OF CONFORMITY -----	4
	ANNEX	

- GENERAL DRAWING

1. BEFORE USING THE EQUIPMENT.

Remove the tool from its packaging and check for external damage, such as:

- a broken cutting blade.
- a damaged levers.
- a loosed/unscrewed parts.

LARZEP hydraulic tools are designed in accordance with internal quality standards, in compliance with the ISO 9001 regulation.

The tools are designed for the applications described in this manual. Any other use may pose a risk to the equipment and result in hazardous situations for the operator.

The manufacturer accepts no responsibility for damage resulting from the improper use of the tool.

Check that the machine and accessories have not been damaged in any way during transportation to the plant. Always use the tools in well-lit areas.



Never use hydraulic equipment that is damaged or suspected to be in poor condition.

The operator should be fully aware of the risks inherent in the use of high-pressure hydraulic tools, and should act responsibly in accordance with that described in this manual, ensuring both his/her own safety as well as the safety of others located in the vicinity of the working zone.



Do not loose instruction manual.

The working instructions should be available for consultation by the operator at all times.

In addition to reading and understanding the instructions manual, the operator should be trained in the use of the machine and in the standards and regulations governing operations of this kind, such as those pertaining to accident prevention and environmental protection, for example. All exposed personnel should use appropriate personal protection equipment: boots, helmet, goggles, gloves and protective clothing.



Boots



Helmet



Goggles



Gloves



Clothes

2. TECHNICAL FEATURES.

The tools in the CN cable cutter range are designed to cut cables and bars in accordance with the specifications contained in the table below. Any other use not included in the said specifications may cause irreparable damage to the cutter and render it unable to carry out the task for which it was designed.

When using the cable cutter, the operator should take steps to prevent the cable from fraying. We recommend that, before commencing the cutting operation, the cable be attached to either end of the cutting zone, using tape, wire or another similar means.

MODELS		CN0024	CN0224	CN0324	CN0233	CN0152	CN0180
CAPACITY	kN	137,4 kN	137,4 kN	137,4 kN	345,1 kN	436,8 kN	1133,94 kN
MAXIMUM SPLITTING CAPACITY DEPENDING ON THE NUT QUALITY.	12 / 9	M24 7/8"	-	-	M36 1 3/8"	M52 2"	M80 3"
	8 / 8	M24 1"	M24 7/8"	M24 7/8"	M36 1 3/8"	M52 2"	M80 3"
	5 / 6	M24 1"	M24 7/8"	M24 7/8"	M36 1 3/8"	M52 2"	M80 3"
MINIMUM NUT DIMENSION		M 12 ½"	M 12 ½"	M16 5/8"	M25 1"	M36 1 ½"	M72 2 ¾"
REFERENCE BLADE		CRN24	CRN0224	CRN0324	CRN0233	CRN33-52	CRN0180
DIMENSIONS	A mm	68 mm	65 mm	104,5 mm	106 mm	130,5 mm	185 mm
	B mm	471 mm	207 mm	296 mm	320 mm	368 mm	435 mm
	C mm	12,5 mm	12 mm	21,5 mm	14 mm	17 mm	37 mm
	D mm	51,5 mm	30,3 mm	27 mm	55 mm	55 mm	90 mm
	E mm	-	-	68,5 mm	-	120 mm	200 mm
	F mm	108 mm	56 mm	62 mm	74 mm	136,5 mm	202,5 mm
	G mm	48 mm	40 mm	38 mm	60 mm	83 mm	120 mm
WEIGHT	Kg.	4,3 Kg.	3,7 Kg.	5 Kg.	15 Kg.	13 Kg.	40 Kg.

*Instruction Manual
Nut- Splitter "CN0324"*

3. ESSENTIAL SAFETY REQUIREMENTS.

- In the event of the improper working of the machine or one of the connected elements, immediately halt all operation, depressurise the system and resolve the problem.
- Before beginning operation, make sure that the danger zone is unoccupied.
- Always use the tools in well-lit areas.
- Regardless of whether the cutting tool has a built-in or separate pump, try to establish the most convenient and stable working method for both the tool and the operator.



Allow for a general use at 80% of the tool's nominal capacity do not exceed the tool's nominal capacity.
In the case of tools with separate pumps, we recommend the use of a pressure indicator, in order to enable the operator to monitor at all times the force to which the system is subjected

- In the case of tools with a separate pump, the hose enables the operator to move further away from the danger zone, while in the case of tools with built-in pumps, if possible, a guard should be positioned between the work piece and the operator.
- Do not expose tools to intense heat sources, such as welding equipment, for example.
- Depressurise and disconnect the tools before carrying out any maintenance operations
- In the case of tools with separate pumps, make sure all the quick plugs are completely clean before connecting.
- Make sure that the hydraulic hoses are neither twisted nor unduly tensed.
- When working with an electric pump, make sure that the valve is set to its neutral position before connecting the tool.
- When working with cable cutters, fraying may occur during the cutting operation. To avoid this, clamp the cable to either end of the cutting blade with tape, wire or even a bushing.
- Clean the quick plugs thoroughly before connecting.
- In all cases, the operator should be thoroughly trained in the operation of the tool and should act in accordance with the logical safety criteria associated with the use of high-pressure equipment.

4. START UP.

MODELS WITH IN-BUILT PUMP. CN0024	MODELS WITH A SEPARATE PUMP. CN0224, CN0324, CN0233, CN0152, CN0180
1- Hold the tool by the thick handle and with the tool in an upright position (head facing up).	1- Connect the hose's female quick plug to the tool's male plug. Make sure the connection is secure.
2- Pump the lever to check that the blade moves forward.	2- Read and follow the pump instructions.
3- Make sure the deformation zone is free from obstruction, and then continue pumping until the blade reaches the end of its travel. At this point the lever will become stiffer and harder to move.	3- Remove the pin and open the tool head.
4- Continue pumping until the safety valve is activated. Check for oil leaks.	4- When using electric or air-based pumps, the application is automated. In such cases, the operator should be specially trained, in order to avoid the possibility of involuntary actions.
5- Press the unload button and check that the blade returns to its initial position.	
6- Repeat this operation as many times as necessary in order to become familiar with the operation of the tool.	
7- Place the tool in position of work supporting the flat part on the bridge.	
8- Look for the position in that the blade affects one of the faces of the hexagon and pump until the blade between in contact with the nut.	
9- Continue pumping until deforming the nut sufficient so that the takeoff of pin.	
10- Unscrew completely the nut with the help of a key.	

5. MAINTENANCE.

- After use, the tool should be cleaned and the area where the blade comes into contact with the heads oiled.
- In the event of oil leaks, disassemble the tool and change the seals. The individual blueprint provided for each tool specifies its components and codes.
- During this operation, check the condition of the inside of the cylinder. If scratches or snags are detected, then a more thorough repair procedure will be required. We recommend that this be carried out **by specialist personnel**.
- In the event of improper functioning in the models with built-in pumps, we recommend that you send the tool to an authorised technical service for inspection and repair.

CHANGING THE BLADE.

- Model CN0024: Release two Allen M5x15 (51) screws, remove the blade and replace it with a new one and attach it by tightening the screw (22) once again.
- Model CN0324: Release the pin (5), unscrew the head (3) and remove the blade using the screw (17).
- Models CN0224, CN0233, CN0152 y CN0180: Release the pin (14) and remove the piston with the pump until the screw (13) its above the hole. Release the screw (13) and remove the blade by the head, replace it, and fix it with the screw (13).Retract the piston and thread the pin (14).

6. WARRANTY.

LARZEP, S.A. guarantees its products against all design and manufacturing defects for the durations of two years from the date of purchase. This guarantee does not include the ordinary wear of both metal and non-metal parts, abuse, using the equipment beyond its rated capacity and any wear or damage incurred as a result of using a hydraulic fluid which is not recommended by **LARZEP, S.A.**

Please note that if the equipment is disassembled or serviced by anyone other than an authorized service dealer or by **LARZEP, S.A.**, this guarantee is rendered null and void.

In the event of a warranty claim, return the equipment, to **LARZEP, S.A.** or the authorized dealer which sold you the hydraulic equipment, **LARZEP, S.A.** will repair or replace the faulty equipment, whichever is deemed most appropriate. **LARZEP, S.A.** shall not be held liable for any consequential damages or losses, which may occur as a result of faulty equipment.

7. DECLARATION OF CONFORMITY.

DECLARACION DE CONFORMIDAD

LARZEP, S.A.
Dirección: Avda. Urtiaga, 6
48269 Mallabia ESPAÑA

Declaramos bajo nuestra exclusiva responsabilidad la conformidad de los productos a los que refiere esta declaración, con las disposiciones de la directiva:
89/392/CEE, 91/368/CEE, 93/44/CEE, 93/68/CEE, 98/37/CEE

E

DECLARATION OF CONFORMITE

Nous, LARZEP, S.A.
Adresse: Avda. Urtiaga, 6
48269 Mallabia SPAIN

Déclarons sous notre seule responsabilité que les produits auxquels se réfère cette déclaration sont conformes aux dispositions des Directives:
89/392/EEC, 91/368/EEC, 93/44/EEC, 93/68/EEC, 98/37/EEC

F

DECLARAÇÃO DE CONFORMIDADE

Nós, LARZEP, S.A.
Endereço: Avda. Urtiaga, 6
48269 Mallabia SPAIN

Declaramos, sob nossa única responsabilidade, que os seguintes produtos, incluídos nesta declaração estão em conformidade com o disposto na Directiva:
89/392/EEC, 91/368/EEC, 93/44/EEC, 93/68/EEC, 98/37/EEC

P

ÖVERENSSTEMMELSESERKLÆRING

Vi, LARZEP, S.A.
Adresse: Avda. Urtiaga, 6
48269 Mallabia SPAIN

Erklærer på eget ansvar, at følgende produkter som er omfattet af denne erklæringen, er i overensstemmelse med bestemmelse i Direktiv:
89/392/EEC, 91/368/EEC, 93/44/EEC, 93/68/EEC, 98/37/EEC

DK

ERKLÆRINGOM OVERENSSTEMMELSE

Vi, LARZEP, S.A.
Adresse: Avda. Urtiaga, 6
48269 Mallabia SPAIN

Erklærer på eget ansvar, at følgende produkter som dekkes af denne erklæringen, er i overensstemmelse med bestemmelse i Direktiv:
89/392/EEC, 91/368/EEC, 93/44/EEC, 93/68/EEC, 98/37/EEC

N

ÜBEREINSTIMMUNGSERKLÄRUNG

Wir, LARZEP, S.A.
Anschrift: Avda. Urtiaga, 6
48269 Mallabia SPAIN

Erklären auf eigene Verantwortung, daß folgende Produkte, auf die sich diese Erklärung bezieht, mit den Bedingungen der Direktiven 89/392/EEC, 91/368/EEC, 93/44/EEC, 93/68/EEC, 98/37/EEC übereinstimmen.

D

Tipo, Type, Typ, Tyyppi.

**SM / SH / SP / SMP / SX / SMX / ST / STX / SL / SMA / SHA / SSR / T / TE / TD / D / DH /
DDR / Z / ZR / W / X / YA / YG / YZ / HM / HE / HG / HZ / HS / WI / CK / CC / CN / FU / FV
/ FZ / FA / CY / AA / AU / CT / C / KC**

**A / AB / AC / BL / B / AF / F / HN / DLG / DL / DP / VA / VB / VC / VZ / EC / EE / EG / EM /
EZ / CA / CS**

Mallabia, ESPAÑA 2005 / 04 / 27

Lugar y fecha, place and date, lieu et date, plats och datum, paikka ja päivämäärä, udstedelsessted og-dato, ort und datum, plaats en datum, local e data, luogo e data.

DECLARATION OF CONFORMITY

We, LARZEP, S.A.
Address: Avda. Urtiaga, 6
48269 Mallabia SPAIN

Declare under our sole responsibility that the following products to which this declaration relates conform with the provisions of Directives:
89/392/EEC, 91/368/EEC, 93/44/EEC, 93/68/EEC, 98/37/EEC

GB

DICHIARAZIONE DI CONFORMITÀ

Noi, LARZEP, S.A.
Indirizzo: Avda. Urtiaga, 6
48269 Mallabia SPAIN

Dichiariamo sotto la nostra esclusiva responsabilità che i prodotti ai quali questa dichiarazione si riferisce sono conformi quanto previsto dalle Direttive:
89/392/EEC, 91/368/EEC, 93/44/EEC, 93/68/EEC, 98/37/EEC

I

VAATIMUSTEMUKAISUUSVAKUUTUS.

Me, LARZEP, S.A.
Osoite: Avda. Urtiaga, 6
48269 Mallabia SPAIN

Vakuutamme yksinomaan omalla vastuullamme, että seuraavat tuotteet, joihin tämä vakuutus liittyy, ovat seuraavien Direktiivien vaatimusten mukaisia:
89/392/EEC, 91/368/EEC, 93/44/EEC, 93/68/EEC, 98/37/EEC

FIN

VERKLARINGVAN OVEREENKOMST.

Wij, LARZEP, S.A.
Adres: Avda. Urtiaga, 6
48269 Mallabia SPAIN

Verklaren geheel onder eigen verantwoordelijkheid dat de volgende produkten, waarop deze verklaring heeft in overeenstemming zijn met de bepalingen van Richtlijn:
89/392/EEC, 91/368/EEC, 93/44/EEC, 93/68/EEC, 98/37/EEC

NL

FÖRSÄKRAN OM ÖVERESSTÄMMELSE

Vi, LARZEP, S.A.
Adresse: Avda. Urtiaga, 6
48269 Mallabia SPAIN

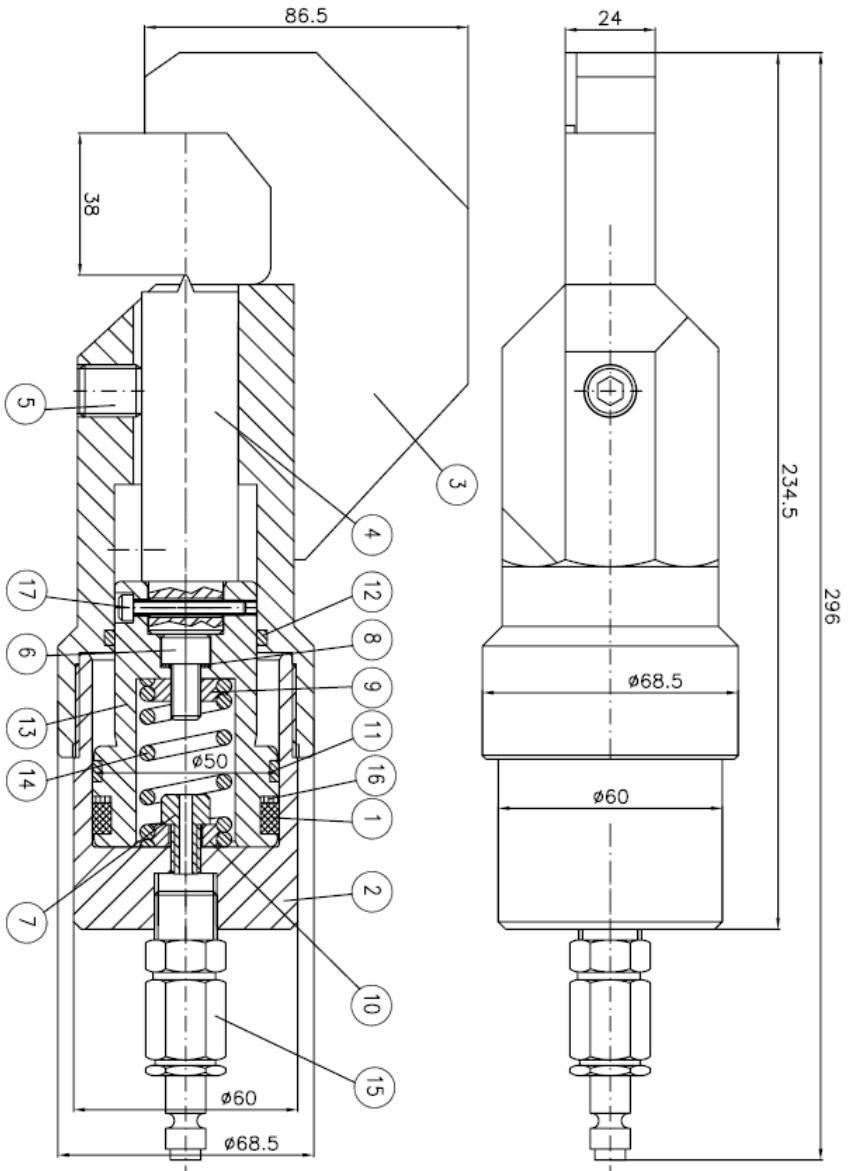
Försäkrar under eget ansvar att följande produkter som omfattas av denna försäkran är i överensstämmelse med villkoren i Direktiv:
89/392/EEC, 91/368/EEC, 93/44/EEC, 93/68/EEC, 98/37/EEC

S

LARZEP, S.A.

Nombre y firma, name and signature, nom et signature, navn og underskrift, name und underskrift, naam en handtekening, nome e assinatura, nome e firma.

Instruction Manual Nut-Splitter "CN0324"



* SPARE PART LIST

N	DESCRIPTION	REFERENCE GASKET	CODE	N PARTS
1	Collar $\phi 40 \times \phi 50 \times 7.5$	TTU 40-50/1	12B0260	1
2	BODY		52U0016	1
3	SADDLE		5600012	1
4	BLADE		CRN0324	1
5	ALLEN STUD M14x15 DIN 913		14F0043	1
6	ALLEN SCREW M8x25 DIN 912 12.9		14A0161	1
7	ALLEN SCREW M8x16 CON ORIFIDO $\phi 3.5$		1500077	1
8	COPPER WASHER		57B0005	1
9	SPRING TIE		24F0108	1
10	SPRING TIE		24F0109	1
11	GUIDE RING $\phi 50 \times \phi 45 \times 6$	GP6500500-C380	58F0218	1
12	O-RING $\phi 37.69 \times 3.53$		12A0006	1
13	PISTON		53S0015	1
14	RETURN SPRING		13A0228	1
15	MALE BALL QUICK COUPLER		AZ3321	1
16	SEGMENT		57A0294	1
17	ALLEN SCREW M4x30		14A0195	1
18	CASE		21D0071	1

MODEL	CAPACITY	LENGTH	WEIGHT	QUALITY	MINIMUM	NUT MODEL	
CN0324	134,83 kN	370 mm.	5 Kg	12/9	8/8	5/6	ASTM A 194
				*	M-24 7/8"	M-24 7/8"	M-10 3/8"

VERSION	MODIFICACIONES	FECHA
1		

Vn. Sr. Direc. Tecnico	AUTOR		DENOMINACION:		MODIFICACIONES	FECHA
	PEDRO GOMEZ		CONJUNTO			
Ref. Materia Prima	Fecha:	Materia:	Resistencia:	Kg/mm ²	TRATAMIENTO	CODIGO
	13-7-00					CN0324
Dimensiones en Bruto	Dureza	Directorio	Substituto por:			
Peso en Bruto	Kgr.	Escala	Substitye a:			
*Señalar para las dimensiones en Indicación en el dibujo AGUJEROS: H12 - E.L.S H12 - MEDIDAS LINEALES ± 0.05			NIP $\nabla < 10\mu$		RUIDOSIDAD ARBORILES $\nabla < 0.4\mu$	