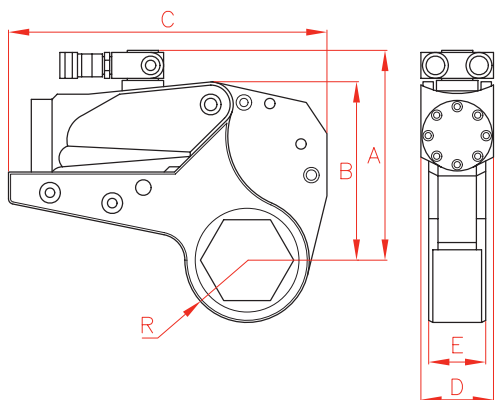


LOW PROFILE HYDRAULIC HEXAGON TORQUE WRENCHES**LARZEP advantages**

- Designed to tighten and loosen directly nuts requiring accurate high torque during bolt tightening and maximum torque during bolt loosening.
- The wrenches consist of a cylinder (LAX_ _) and an interchangeable hexagonal ratchet link (LAX_ H_ _). Example: If you need a torque wrench for 50 mm hexagon with a maximum torque of 5.800 Nm, part numbers to specify LAX06 + LAX06H050.
- Wide range of interchangeable ratchet links, from 19 mm to 175 mm hexagon A/F.
- Wide range of hexagonal reducer inserts to extend the range of nut size as option.
- Body construction made of Aluminium-Titanium alloy, provides high strength, tenacity, lightness and agility.
- 360° x 180° swivelling oil connection for ease of use.
- Fine pitch reaction pawl enhances efficiency and torque accuracy.
- Long lever arm of force, improves the reliability.
- Hexagon design, provides more accurate torque due to the direct action of the wrench on the nut.
- Available several models of torque wrench pumps HAT.



HEXAGONAL TORQUE WRENCHES

LAX

2.300-44.500 Nm

700 bar

TOOLS

Torque	Cylinder		Ratchet Link			Dimensions				
Maximum Torque	Model	Weight	Model	Hexagon	Weight	A	B	C	D	E
Nm	LARZEP	kg	LARZEP	mm	kg	mm	mm	mm	mm	mm
2.300	LAX02	1,0	LAX02H_ _ _	19 to 55	1,6	126	102	196	51	32
2.400		1,0		60	1,7	129	105	196	51	32
5.800	LAX06	2,0	LAX06H_ _ _	32 to 65	4,4	177	136	245	66	42
6.400		2,0		70 to 80	4,6	187	146	246	66	42
10.900	LAX11	3,3	LAX11H_ _ _	41 to 95	8,0	207	169	300	83	53
11.700		3,3		100 to 105	8,4	216	178	301	83	53
18.500	LAX18	5,5	LAX18H_ _ _	50 to 117	11,6	239	204	361	99	64
41.800	LAX44	11,4	LAX44H_ _ _	85 to 155	29,0	303	272	430	131	85
44.500		11,4		160 to 175	30,0	315	285	441	131	85



Cylinder



Ratchet Link



Reducer Inserts



Torque Wrench Pumps, HAT.

Page. 103



Couplers.

Page. 108



Twin Hoses AR.

Page. 106

RATCHET LINKS & HEXAGONAL REDUCER INSERTS

RATCHET LINKS				HEXAGONAL REDUCER INSERTS					
Model	Thread	Hexagon	R	Model	Reducer	Model	Reducer	Model	Reducer
LAX02	M	mm (A/F)	mm	LAX02	mm (A/F)	LAX02	mm (A/F)	LAX02	mm (A/F)
LAX02H019	M12	19	27	-	-	-	-	-	-
LAX02H022	M14	22	27	-	-	-	-	-	-
LAX02H027	M18	27	27	-	-	-	-	-	-
LAX02H030	M20	30	29	-	-	-	-	-	-
LAX02H032	M20	32	29	LAX02R032027	32 - 27	-	-	-	-
LAX02H034	M22	34	31	-	-	-	-	-	-
LAX02H036	M24	36	31	LAX02R036030	36 - 30	LAX02R036027	36 - 27	-	-
LAX02H041	M27	41	34	LAX02R041032	41 - 32	LAX02R041030	41 - 30	LAX02R041027	41 - 27
LAX02H046	M30	46	37	LAX02R046036	46 - 36	LAX02R046032	46 - 32	LAX02R046030	46 - 30
LAX02H050	M33	50	40	LAX02R050041	50 - 41	LAX02R050036	50 - 36	LAX02R050032	50 - 32
LAX02H055	M36	55	43	LAX02R055046	55 - 46	LAX02R055041	55 - 41	LAX02R055036	55 - 36
LAX02H060	M39	60	46	LAX02R060050	60 - 50	LAX02R060046	60 - 46	LAX02R060041	60 - 41

RATCHET LINKS				HEXAGONAL REDUCER INSERTS					
Model	Thread	Hexagon	R	Model	Reducer	Model	Reducer	Model	Reducer
LAX06	M	mm (A/F)	mm	LAX06	mm (A/F)	LAX06	mm (A/F)	LAX06	mm (A/F)
LAX06H032	M22	32	36	LAX06R032027	32 - 27	-	-	-	-
LAX06H036	M24	36	36	LAX06R036030	36 - 30	LAX06R036027	36 - 27	-	-
LAX06H041	M27	41	39	LAX06R041032	41 - 32	LAX06R041030	41 - 30	LAX06R041027	41 - 27
LAX06H046	M30	46	42	LAX06R046036	46 - 36	LAX06R046032	46 - 32	LAX06R046030	46 - 30
LAX06H050	M33	50	44	LAX06R050041	50 - 41	LAX06R050036	50 - 36	LAX06R050032	50 - 32
LAX06H055	M36	55	46	LAX06R055046	55 - 46	LAX06R055041	55 - 41	LAX06R055036	55 - 36
LAX06H060	M39	60	50	LAX06R060050	60 - 50	LAX06R060046	60 - 46	LAX06R060041	60 - 41
LAX06H065	M42	65	53	LAX06R065055	65 - 55	LAX06R065050	65 - 50	LAX06R065046	65 - 46
LAX06H070	M45	70	56	LAX06R070060	70 - 60	LAX06R070055	70 - 65	LAX06R070050	70 - 50
LAX06H075	M48	75	59	LAX06R075065	75 - 65	LAX06R075060	75 - 60	LAX06R075055	75 - 55
LAX06H080	M52	80	61	LAX06R080070	80 - 70	LAX06R080065	80 - 65	LAX06R080060	80 - 60

RATCHET LINKS				HEXAGONAL REDUCER INSERTS					
Model	Thread	Hexagon	R	Model	Reducer	Model	Reducer	Model	Reducer
LAX11	M	mm (A/F)	mm	LAX11	mm (A/F)	LAX11	mm (A/F)	LAX11	mm (A/F)
LAX11H041	M27	41	46	-	-	-	-	-	-
LAX11H046	M30	46	46	-	-	-	-	-	-
LAX11H050	M33	50	46	-	-	-	-	-	-
LAX11H055	M36	55	50	LAX11R055046	55 - 46	LAX11R055041	55 - 41	-	-
LAX11H060	M39	60	52	LAX11R060050	60 - 50	LAX11R060046	60 - 46	-	-
LAX11H065	M42	65	55	LAX11R065055	65 - 55	LAX11R065050	65 - 50	LAX11R065045	65 - 45
LAX11H070	M45	70	58	LAX11R070060	70 - 60	LAX11R070055	70 - 55	LAX11R070050	70 - 50
LAX11H075	M48	75	60	LAX11R075065	75 - 65	LAX11R075060	75 - 60	LAX11R075055	75 - 55
LAX11H080	M52	80	63	LAX11R080070	80 - 70	LAX11R080065	80 - 65	LAX11R080060	80 - 60
LAX11H085	M56	85	66	LAX11R085075	85 - 75	LAX11R085070	85 - 70	LAX11R085065	85 - 65
LAX11H090	M60	90	69	LAX11R090080	90 - 80	LAX11R090075	90 - 75	LAX11R090070	90 - 70
LAX11H095	M64	95	71	LAX11R095075	95 - 75	LAX11R095070	95 - 70	LAX11R095065	95 - 65
LAX11H100	M68	100	75	LAX11R100080	100 - 80	LAX11R100075	100 - 75	LAX11R100070	100 - 70
LAX11H105	M72	105	78	LAX11R105085	105 - 85	LAX11R105080	105 - 80	LAX11R105075	105 - 75



Ratchet Link



Reducer Inserts

RATCHET LINKS				HEXAGONAL REDUCER INSERTS					
Model	Thread	Hexagon	R	Model	Reducer	Model	Reducer	Model	Reducer
LAX18	M	mm (A/F)	mm	LAX18	mm (A/F)	LAX18	mm (A/F)	LAX18	mm (A/F)
LAX18H050	M33	50	60	-	-	-	-	-	-
LAX18H055	M36	55	60	-	-	-	-	-	-
LAX18H060	M39	60	60	-	-	-	-	-	-
LAX18H065	M42	65	60	-	-	-	-	-	-
LAX18H070	M45	70	60	-	-	-	-	-	-
LAX18H075	M48	75	63	LAX18R075065	75 - 65	-	-	-	-
LAX18H080	M52	80	66	LAX18R080070	80 - 70	LAX18R080065	80 - 65	-	-
LAX18H085	M56	85	69	LAX18R085075	85 - 75	LAX18R085070	85 - 70	LAX18R085065	85 - 65
LAX18H090	M60	90	72	LAX18R090080	90 - 80	LAX18R090075	90 - 75	LAX18R090070	90 - 70
LAX18H095	M64	95	74	LAX18R095085	95 - 85	LAX18R095080	95 - 80	LAX18R095075	95 - 75
LAX18H100	M68	100	77	LAX18R100090	100 - 90	LAX18R100085	100 - 85	LAX18R100080	100 - 80
LAX18H105	M72	105	80	LAX18R105095	105 - 95	LAX18R105090	105 - 90	LAX18R105085	105 - 85
LAX18H110	M76	110	83	LAX18R110100	110 - 100	LAX18R110095	110 - 95	LAX18R110090	110 - 90
LAX18H115	M80	115	87	LAX18R115105	115 - 105	LAX18R115100	115 - 100	LAX18R115095	115 - 95
LAX18H117	M80	117	87	LAX18R117105	117 - 105	LAX18R117100	117 - 100	LAX18R117095	117 - 95

RATCHET LINKS				HEXAGONAL REDUCER INSERTS					
Model	Thread	Hexagon	R	Model	Reducer	Model	Reducer	Model	Reducer
LAX44	M	mm (A/F)	mm	LAX44	mm (A/F)	LAX44	mm (A/F)	LAX44	mm (A/F)
LAX44H085	M56	85	78	-	-	-	-	-	-
LAX44H090	M60	90	78	LAX44R090080	90 - 80	-	-	-	-
LAX44H095	M64	95	83	LAX44R095085	95 - 85	LAX44R095080	95 - 80	-	-
LAX44H100	M68	100	83	LAX44R100090	100 - 90	LAX44R100085	100 - 85	LAX44R100080	100 - 80
LAX44H105	M72	105	89	LAX44R105095	105 - 95	LAX44R105090	105 - 90	-	-
LAX44H110	M76	110	89	LAX44R110100	110 - 100	LAX44R110095	110 - 95	LAX44R110090	110 - 90
LAX44H115	M80	115	95	LAX44R115105	115 - 105	LAX44R115100	115 - 100	LAX44R115095	115 - 95
LAX44H117	M80	117	95	-	-	-	-	-	-
LAX44H120	M85	120	95	LAX44R120110	120 - 110	LAX44R120105	120 - 105	LAX44R120100	120 - 100
LAX44H125	M85	125	101	-	-	-	-	-	-
LAX44H130	M90	130	101	LAX44R130120	130 - 120	LAX44R130115	130 - 115	LAX44R130110	130 - 110
LAX44H135	M95	135	104	-	-	-	-	-	-
LAX44H140	M95	140	110	-	-	-	-	-	-
LAX44H145	M100	145	110	LAX44R145130	145 - 130	LAX44R145120	145 - 120	LAX44R145115	145 - 115
LAX44H150	M105	150	116	-	-	-	-	-	-
LAX44H155	M110	155	116	LAX44R155145	155 - 145	LAX44R155130	155 - 130	LAX44R155120	155 - 120
LAX44H160	M110	160	128	LAX44R160150	160 - 150	LAX44R160145	160 - 145	LAX44R160140	160 - 140
LAX44H165	M115	165	128	LAX44R165155	165 - 155	LAX44R165150	165 - 150	LAX44R165145	165 - 145
LAX44H170	M120	170	128	LAX44R170160	170 - 160	LAX44R170155	170 - 155	LAX44R170150	170 - 150
LAX44H175	M120	175	128	LAX44R175165	175 - 165	LAX44R175160	175 - 160	LAX44R175155	175 - 155