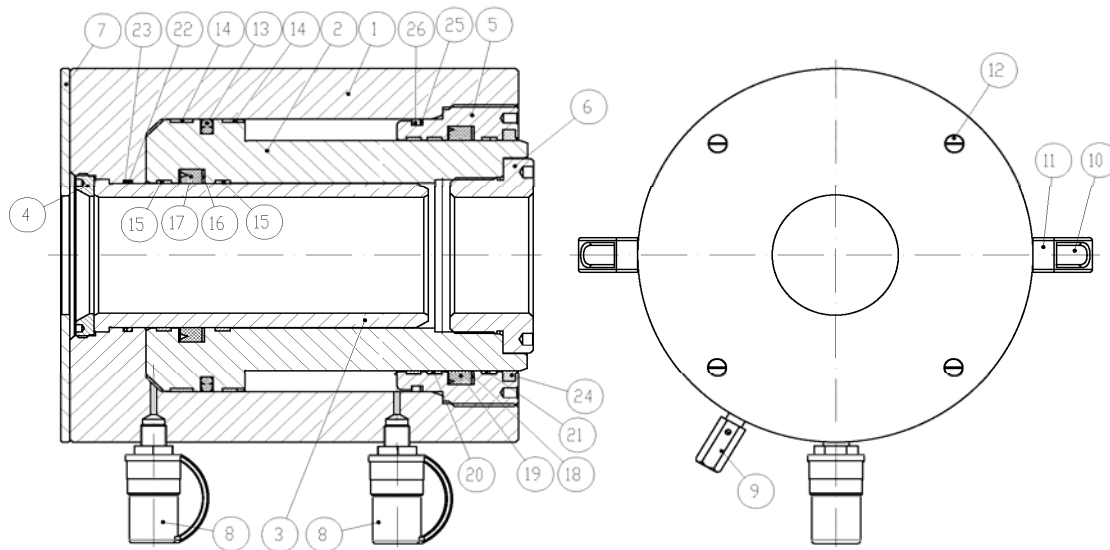


DAH15010



	DAH15010
	<i>JR.DAH150A*</i>
1	52O0195
2	53F0777
3	51A0318
4	15O0055
5	55O0110
6	AZ0545
7	24K0557
8	(2) AZ3140
9	17C0054
10	(2) 33C0011
11	(4) 14A0162
12	(4) 14A0440
*13	12B0130
*14	(2) 58F0147
*15	(2) 58F0202
*16	57A0279
*17	12B0172
*18	57A0311
*19	12B0203
*20	(2) 58F0143
*21	8G0013
*22	12A0135
*23	57A0738
*24	12H0075
*25	57A0731
*26	12A0442

LARZEP, S.A.

Avenida Urutiaga, 6
48269 MALLABIA, SPAIN

Tel. +34 943 171200

Fax. +34 943 174166

e-mail: sales@larzep.com

www.larzep.com

LARZEP AUSTRALIA PTY. LTD.

139 Wedgewood Road,
HALLAM, VIC. 3803 AUSTRALIA

Tel. +61 (3) 9796 3744

Fax. +61 (3) 9796 5964

e-mail: sales@larzep.com.au

www.larzep.com.au

LARZEP GB LTD.

3 Commerce Way - Leighton Buzzard
BEDS LU7 4RW UNITED KINGDOM

Tel. +44 1525 377819

Fax. +44 1525 851990

e-mail: sales@larzep.co.uk

www.larzep.co.uk