



HYDRAULIC CUTTER “CK0116”



LARZEP, S.A.

Avenida Urtiaga, 6
48269 MALLABIA, SPAIN

Tel. +34 943 171200

Fax. +34 943 174166

e-mail: sales@larzep.com

www.larzep.com

LARZEP AUSTRALIA PTY. LTD.

139 Wedgewood Road,
HALLAM, VIC. 3803 AUSTRALIA

Tel. +61 (3) 9796 3744

Fax. +61 (3) 9796 5964

e-mail: sales@larzep.com.au

www.larzep.com.au

LARZEP GB LTD.

3 Commerce Way - Leighton Buzzard
BEDS LU7 4RW UNITED KINGDOM

Tel. +44 1525 377819

Fax. +44 1525 851990

e-mail: sales@larzep.co.uk

www.larzep.co.uk

INDEX

1. SAFETY ESSENTIAL REQUIREMENTS..... 2
2. TECHNICAL FEATURES2-3
3. START UP 3
4. MAINTENANCE 3
5. WARRANTY 3
6. DECLARATION OF CONFORMITY 4

ANNEX

❖ DECLARATION OF CONFORMITY

1. SAFETY ESSENTIAL REQUIREMENTS.

The **LARZEP** hydraulic cutters have been designed in accordance with our Quality Standards and under the control described by the ISO 9001 rules.



Bearing the above in mind, obviously the use of the cutter must be done as per the relevant instructions described in the manual. The user must be aware of the inherent risks when handling high pressure hydraulic devices, command properly the working operation and instruct accordingly the staff staying in the nearby area to the tool.

The tool is only designed for the operations described in this. No other uses are foreseen and therefore the manufacturer will not feel responsible for any damages caused by a wrong operation of the tool. The instructions guide must be always available at user’s reach.

Hydraulic equipment can be used with such little effort that it is often easy to forget the magnitudes of force involved. As a complement to the instruction manual, the user should be trained as far as the machine operation and the corresponding safety and technical rules are concerned, such as those about prevention of accidents and protection of environment. **The operators must wear protective clothes like helmet, glasses, gloves, boots and others.**



Helmet



Glasses



Gloves



Boots

In order to prevent any personal or material damage, the operator should be duly trained in the working operation and apply the relevant safety actions.

Whenever the tool is operated, the steps described in the paragraph “START UP” of this manual should be followed.

Any modification on the tool or replacement of components affecting the general safety should be avoided without the previous authorisation by the manufacturer.

Any repairing and maintaining operation, etc. should be done only by specialised staff and with original spare parts **LARZEP**.

If it is used, replace the hydraulic hoses periodically even if at first sight that don’t show any damage or fault.

Effect the suggested maintenance operations periodically as per this manual

After operation, the tool should be clean and store fully retracted in a safe and clean place.



Check that both the tool and the accessories have not experienced any damage during transportation, handling or installation. Ensure that all the components of the hydraulic system can support the maximum pressure.

Before starting the operation, make sure that the user will work steady. Operate the tool in properly light powered areas.



Limit a maximum value of 80% of nominal capacity in continuous operation.



Do not expose the tool to intense heat, such as when welding.

Effect the maintenance operations at no pressure and disconnected.

Do not overpass the nominal capacity of the machine. Use indicators and devices to be aware of the working pressure.

After operation, clean and store them in the box.

• For kits, cutter + pump

Make sure about the perfect cleaning of coupling and accessories. Dirty couplings are difficult to connect and might cause dust and other dirty materials to penetrate into the hydraulic circuit. When using electric pump, make sure that the distributor valve is in neutral position when plugging the pump.

Ensure that heavy or sharp objects do not fall or are placed on the hose. Do not pressurize the hose by pumping against the coupling, before connecting pump and tool.

The choice of pumping system (hand, air-driven, petrol powered or electric) depends upon the application; ensure that the reservoir contains at least 25% more oil than required to fill both the cutter and connected hoses.

2. TECHNICAL FEATURES.

MODEL CK 01 16

MODEL	CK0116
Push capacity (700 Kg/cm²)	140 kN
Stroke	20 mm
Effective area	19,6 cm ²
Oil capacity	39,2 cm ³
Weight	4,5 Kg

- ❖ Single acting, spring return
- ❖ Balls half-quick male coupler
- ❖ Handle.
- ❖ Interchangeable blade



Instruction Manual
Hydraulic Cutter "CK0116"

PERFORMANCE

Minimum diameter: 5 mm

MODEL	CK0116
Strength Kg/cm ²	Diameter mm.
70	-
100	-
140	13

CHAIN

MODEL		CK0116
Strength	Standard	Chain Diameter max. mm.
28-43-50	DIN 766 - DIN 762	19
60-80	DIN 766 - DIN 762	14

3. START UP.

1. Assemble the complete system, and make sure about the perfect fitting of pump, hose, coupler and tool.
2. Make sure about the knowledge of pump chosen and who it work.
3. Test the circuit, pumping oil into the tool. Opening the return valve (if it is necessary) to checking the blade return. Check the tool at maximum pressure, working the piston against the limit of stroke and return the blade. Repeat this operation to get used to the circuit.
4. Insert the chain link or bar in the gap between blades (max. 30 mm.)
5. **Centre the material to be cut in the gap and look for the alignment with the tool.**
6. Actuate the pump until the material is broken. Return the movable blade by releasing the pump.

4. MAINTENANCE.

REPLACEMENT OF BLADES

- Fixed blade:
Loosen the screw (20), and push the blade with a nail through the head hole. Remove the damaged blade, put a new one and tighten the screw (20).

- Movable blade:
Dismantle the screws (17), at the both side, and loosening the second screw (17), it is possible to unscrew the body from the head.
Next step, dismantle the piston, and unscrew the bolt (8), to get the blade free.
Put a new one and proceed opposite way to mount back again, controlling the position of the flat side of the piston.
The screws (17) work like the piston guide. Lock the screws leaving a enough gap for a well work of the spring.

REPLACEMENT OF SEALS

After dismantle the piston, unscrew the bolt (6), and pull out the piston from the body. Replace the seal and segment for the new ones. Do not use sharp edged tools. Use spare parts from LARZEP.
Take this opportunity to change the O-ring (18) and (21) and the guide (14).
To mount back again, proceed opposite way.

5. WARRANTY.

LARZEP, S.A. guarantees its products against all design and manufacturing defects for the durations of two years from the date of purchase. This guarantee does not include the ordinary wear of both metal and non-metal parts, abuse, using the equipment beyond its rated capacity and any wear or damage incurred as a result of using a hydraulic fluid which is not recommended by **LARZEP, S.A.**

Please note that if the equipment is disassembled or serviced by anyone other than an authorized service dealer or by **LARZEP, S.A.**, this guarantee is rendered null and void.

In the event of a warranty claim, return the equipment, to **LARZEP, S.A.** or the authorized dealer which sold you the hydraulic equipment, **LARZEP, S.A.** will repair or replace the faulty equipment, whichever is deemed most appropriate. **LARZEP, S.A.** shall not be held liable for any consequential damages or losses, which may occur as a result of faulty equipment

6. DECLARATION OF CONFORMITY.**DECLARACION DE CONFORMIDAD**

LARZEP, S.A.
Dirección: Avda. Urtiaga, 6
48269 Mallabia ESPAÑA
Declaramos bajo nuestra exclusiva responsabilidad la conformidad de los productos a los que refiere esta declaración, con las disposiciones de la directiva:
89/392/CEE, 91/368/CEE, 93/44/CEE, 93/68/CEE, 98/37/CEE

E**DECLARATION DE CONFORMITE**

Nous, LARZEP, S.A.
Adresse: Avda. Urtiaga, 6
48269 Mallabia SPAIN
Déclarons sous notre seule responsabilité que les produits auxquels se réfère cette déclaration sont conformes aux dispositions des Directives:
89/392/EEC, 91/368/EEC, 93/44/EEC, 93/68/EEC, 98/37/EEC

F**DECLARAÇÃO DE CONFORMIDADE**

Nós, LARZEP, S.A.
Endereço: Avda. Urtiaga, 6
48269 Mallabia SPAIN
Declaramos, sob nossa única responsabilidade, que os seguintes produtos, incluídos nesta declaração estão em conformidade com o disposto na Directiva:
89/392/EEC, 91/368/EEC, 93/44/EEC, 93/68/EEC, 98/37/EEC

P**ÖVERENSSTEMMELSESERKLÄRING**

Vi, LARZEP, S.A.
Adresse: Avda. Urtiaga, 6
48269 Mallabia SPAIN
Erklærer på eget ansvar, at følgende produkter som er omfattet af denne erklæring, er i overensstemmelse med bestemmelserne i Direktiv:
89/392/EEC, 91/368/EEC, 93/44/EEC, 93/68/EEC, 98/37/EEC

DK**ERKLÆRING OM OVERENSSTEMMELSE**

Vi, LARZEP, S.A.
Adresse: Avda. Urtiaga, 6
48269 Mallabia SPAIN
Erklærer på eget ansvar, at følgende produkter som dekkes av denne erklæringen, er i overensstemmelse med bestemmelsene i Direktiv:
89/392/EEC, 91/368/EEC, 93/44/EEC, 93/68/EEC, 98/37/EEC

N**ÜBEREINSTIMMUNGSERKLÄRUNG**

Wir, LARZEP, S.A.
Anschrift: Avda. Urtiaga, 6
48269 Mallabia SPAIN
Erklären auf eigene Verantwortung, daß folgende Produkte, auf die sich diese Erklärung bezieht, mit den Bedingungen der Direktiven 89/392/EEC, 91/368/EEC, 93/44/EEC, 93/68/EEC, 98/37/EEC übereinstimmen.

D

Tipo, Type, Typ, Tyypki.

**SM / SH / SP / SMP / SX / SMX / ST / STX / SL / SMA / SHA / SSR / T / TE / TD / D / DH /
DDR / Z / ZR / W / X / YA / YG / YZ / HM / HE / HG / HZ / HS / WI / CK / CC / CN / FU / FV /
FZ / FA / CY / AA / AU / CT / C / KC**

**A / AB / AC / BL / B / AF / F / HN / DLG / DL / DP / VA / VB / VC / VZ / EC / EE / EG / EM /
EZ / CA / CS**

Mallabia, ESPAÑA 2005 / 04 / 27

Lugar y fecha, place and date, lieu et date, plats och datum, paikka ja päivämäärä, udstedelsessted og-dato, ort und datum, plaats en datum, local e data, luogo e data.

DECLARATION OF CONFORMITY

We, LARZEP, S.A.
Address: Avda. Urtiaga, 6
48269 Mallabia SPAIN
Declare under our sole responsibility that the following products to which this declaration relates conform with the provisions of Directives:
89/392/EEC, 91/368/EEC, 93/44/EEC, 93/68/EEC, 98/37/EEC

GB**DICHIARAZIONE DI CONFORMITÀ**

Noi, LARZEP, S.A.
Indirizzo: Avda. Urtiaga, 6
48269 Mallabia SPAIN
Dichiariamo sotto la nostra esclusiva responsabilità che i prodotti ai quali questa dichiarazione si riferisce sono conformi quanto previsto dalle Direttive:
89/392/EEC, 91/368/EEC, 93/44/EEC, 93/68/EEC, 98/37/EEC

I**VAATIMUSTEMUKAISUUSVAKUUTUS.**

Me, LARZEP, S.A.
Osoite: Avda. Urtiaga, 6
48269 Mallabia SPAIN
Vakuutamme yksinomaan omalla vastuullamme, että seuraavat tuotteet, joihin tämä vakuutus liittyy, ovat seuraavien Direktiivien vaatimusten mukaisia:
89/392/EEC, 91/368/EEC, 93/44/EEC, 93/68/EEC, 98/37/EEC

FIN**VERKLARINGVAN OVEREENKOMST.**

Wij, LARZEP, S.A.
Adres: Avda. Urtiaga, 6
48269 Mallabia SPAIN
Verklaren geheel onder eigen verantwoordelijkheid dat de volgende producten, waarop deze verklaring heeft in overeenstemming zijn met de bepalingen van Richtlijn:
89/392/EEC, 91/368/EEC, 93/44/EEC, 93/68/EEC, 98/37/EEC

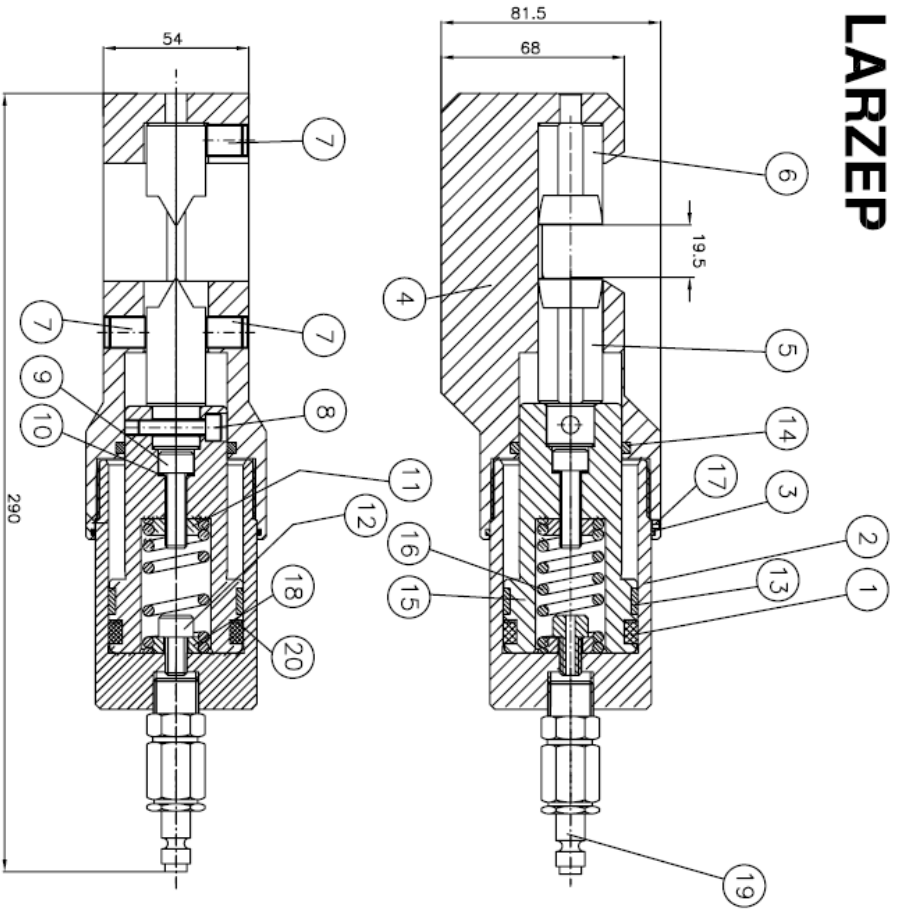
NL**FÖRSÄKRAN OM ÖVERESSTÄMMELSE**

Vi, LARZEP, S.A.
Adress: Avda. Urtiaga, 6
48269 Mallabia SPAIN
Försäkrar under eget ansvar att följande produkter som omfattas av denna försäkran är i överensstämmelse med villkoren i Direktiv:
89/392/EEC, 91/368/EEC, 93/44/EEC, 93/68/EEC, 98/37/EEC

S**LARZEP, S.A.**

Nombre y firma, name and signature, nom et signature, namn och underskrift, nimi ja nimikirjoitus, navn og underskrift, name und underskrift, naam en handtekening, nome e assinatura, nome e firma.

LARZEP



* SPARE PART LIST

N	DESCRIPTION	REFERENCE GASKET	CODE	N PARTS
1	Collar $\phi 40 \times \phi 50 \times 7.5$	TTU 40-50/1	12B0260	1
2	BODY		52U0008	1
3	O-RING $\phi 60.04 \times 1.78$		12A0269	1
4	SADDLE		56Q0006	1
5	BLADE		CRK16/1	1
6	COUNTERBLADE		CRK16/2	1
7	ALLEN STUD M12x16 DIN 913		14F0072	3
8	ALLEN SCREW M6x25 DIN 912 12.9		14A0473	1
9	ALLEN SCREW M8x30 DIN 912 12.9		14A0474	1
10	COPPER WASHER		57B0005	1
11	SPRING TIE		24F0108	1
12	ALLEN SCREW M8x16 WITH HOLE $\phi 3.5$		1500077	1
13	GUIDE RING $\phi 50 \times \phi 45 \times 9.7$	GP6900500-C380	58F0196	1
14	O-RING $\phi 37.69 \times 3.53$		12A0006	1
15	PISTON		53S0007	1
16	REUTRN SPRING		13A0203	1
17	ALLEN STUD M4x5		14F0073	1
18	SPRING TIE		24F0109	1
19	MALE BALL QUICK COUPLER $\phi 15.5$ 3/8NPT		AZ3321	1
20	SEGMENT		57A0294	1
21	CASE		21D0068	1

MODEL	CAPACITY	LENGTH	WEIGHT	CHAIN	STRENGTH BY GRADES	STANDARDS	BAR	STRENGTH
CK0116	134.8 KN	290 mm.	4.5 Kg.	19 mm	28-43-50 60-80	ASTM-413; DIN 5684 DIN 5685; DIN 764 DIN 766; DIN 762	$\phi 13$ $\phi 11$	140 Kg/mm ² 160 Kg/mm ²

VIA. 3 ^a Div. Industrial		VERSION		DENOMINACION		TRATAMIENTO		RIGIDIZADORES INDEBILES	
Autor	Ref. Material	Fecha	Resistencia	kg/mm ²	Material	Resistencia	kg/mm ²	Substituto por	Substituto a
PEDRO GOMEZ		1-6-06						CK0116	
Diversiónes en Bruto		Dureza	Resistencia		kg/mm ²				
Freso en Bruto		kg	Escala		Directorio				
Tolerancias para las dimensiones sin indicación en el dibujo		H9 < 10µ		H7 < 1.6µ		H8 < 0.4µ		H7 < 0.04µ	
AGILFEROS. HR - ERS. HR - ERAS. LANTIONALES. 1.625									

LARZEP

CK0116

Substituto por

Substituto a